

Panoramic Security Surveillance Quick Setup Guide

NO:101-300-0544-01
Issue:1.0

Precautions

Fully understand this document before using this device, and strictly observe rules in this document when using this device. If you install this device in public places, provide the tip "You have entered the area of electronic surveillance" in an eye-catching place. Failure to correctly use electrical products may cause fire and severe injuries.

WARNING	It alerts you to moderate dangers which, if not avoided, may cause minor or moderate injuries.
CAUTION	It alerts you to risks. Neglect of these risks may cause device damage, data loss, device performance deterioration, or unpredictable results.
NOTE	It provides additional information.

WARNING

- Strictly observe installation requirements when installing the device. The manufacturer shall not be held responsible for device damage caused by users' non-conformance to these requirements.
- Strictly conform to local electrical safety standards and use power adapters that are marked with the LPS standard when installing and using this device. Otherwise, this device may be damaged.
- Use accessories delivered with this device. The voltage must meet input voltage requirements for this device.
- If this device is installed in places with unsteady voltage, ground this device to discharge high energy such as electrical surges in order to prevent the power supply from burning out.
- When this device is in use, ensure that no water or any liquid flows into the device. If water or liquid unexpectedly flows into the device, immediately power off the device and disconnect all cables (such as power cables and network cables) from this device.
- Do not focus strong light (such as lighted bulbs or sunlight) on

this device. Otherwise, the service life of the image sensor may be shortened.

- If this device is installed in places where thunder and lightning frequently occur, ground the device nearby to discharge high energy such as thunder strikes in order to prevent device damage.
- The laser from the laser high speed camera can not directly face the human eyes to avoid possible damage to the human eyes.

CAUTION

- Avoid heavy loads, intensive shakes, and soaking to prevent damages during transportation and storage. The warranty does not cover any device damage that is caused during secondary packaging and transportation after the original packaging is taken apart.
- Protect this device from fall-down and intensive strikes, keep the device away from magnetic field interference, and do not install the device in places with shaking surfaces or under shocks.
- Clean the device with a soft dry cloth. For stubborn dirt, dip the cloth into slight neutral cleanser, gently wipe the dirt with the cloth, and then dry the device.
- Do not jam the ventilation opening. Follow the installation instructions provided in this document when installing the device.
- Keep the device away from heat sources such as radiators, electric heaters, or other heat equipment.
- Keep the device away from moist, dusty, extremely hot or cold places, or places with strong electric radiation.
- If the device is installed outdoors, take insect- and moisture-proof measures to avoid circuit board corrosion that can affect monitoring.
- Remove the power plug if the device is idle for a long time.
- Before unpacking, check whether the fragile sticker is damaged. If the fragile sticker is damaged, contact customer services or sales personnel. The manufacturer shall not be held responsible for any artificial damage of the fragile sticker.

Special Announcement

- All complete products sold by the manufacturer are delivered along with nameplates, quick setup guide and accessories after strict inspection. The manufacturer shall not be held responsible for counterfeit products.
- The manufacturer will update this manual according to product function enhancement or changes and regularly update the software and hardware described in this manual. Update information will be added to new versions of this manual without prior notice.
- This manual may contain misprints, technology information that is not accurate enough, or product function and operation description that is slightly inconsistent with the actual product, the final interpretation of company is as a standard.
- This manual is only for reference and does not ensure that the information is totally consistent with the actual product. For consistency, see the actual product.

NOTE

For more information, please refer to website.

1 Open Package Examination

Open the package, check the appearance of product for no obvious damage, and confirm the item list for table 1-1 is consistent.

Table 1-1 Packing list

Component	Quantity	Remark
Panoramic Camera	1	
Quick Setup Guide	1	
Bracket connector	2	
Hex Wrench	1	
Power adapter	1	
Power cord	1	
Network interface cover	1	
Mount bracket	1	
Stainless screw	4	

2 Device Structure

2.1 Device Ports

NOTE

Different device may have different multi-head cable, please refer to the actual product.

Figure 2-1 Multi-head cable

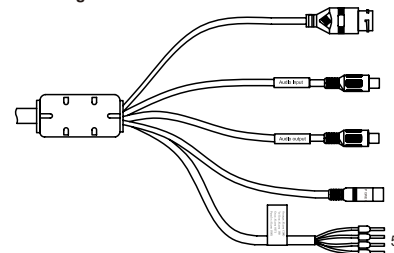


Table 2-2 Multi-head cable description

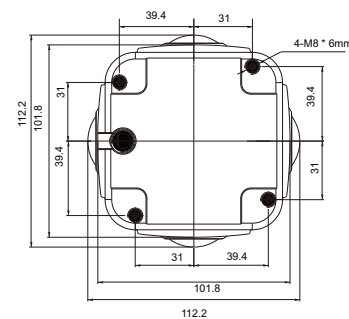
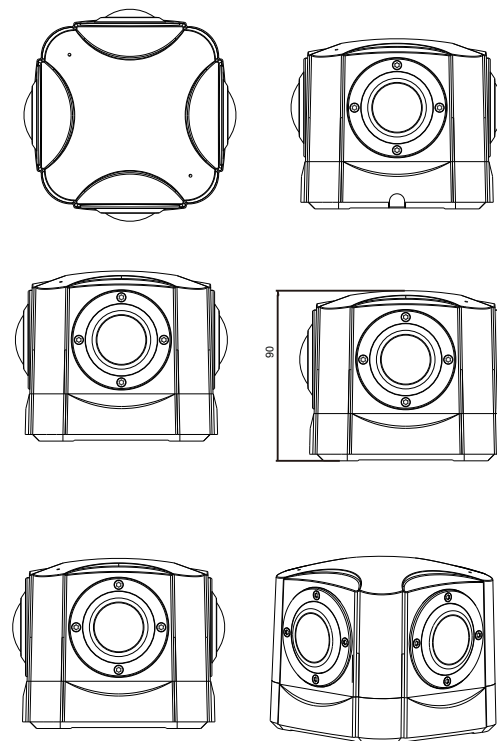
ID	Core	Description	Remark
1	Network access port	Connects to a standard Ethernet cable.	
2	Audio input port	Receives an analog audio signal from devices such as a sound pickup device.	Applied for camera with audio function
3	Audio output port	Connects to an external audio device such as a speaker.	
4	Power supply (DC 12V)	Connects to a 12V(-15%~+10%) direct current (DC) power supply.	
5	Gray core	Alarm output terminal A(normal open)	Applied for alarm function
	Purple core	Alarm output terminal B(normal open)	
	Yellow core	Alarm input positive terminal	
	Orange core	Alarm input ground terminal	

2.2 Camera Dimensions

NOTE

Different device may have different dimensions, please refer to the actual product.

Figure 2-2 Dimensions Unit:mm



3 Device Installation

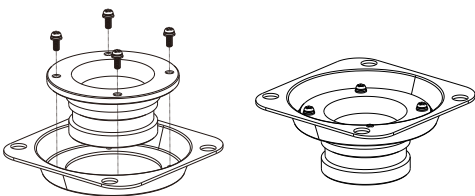
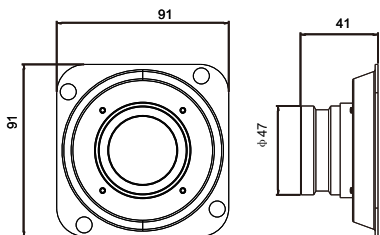
NOTE

There are two types to install camera, one is installing on the ceiling, another type is installing on column.

Installation Steps:

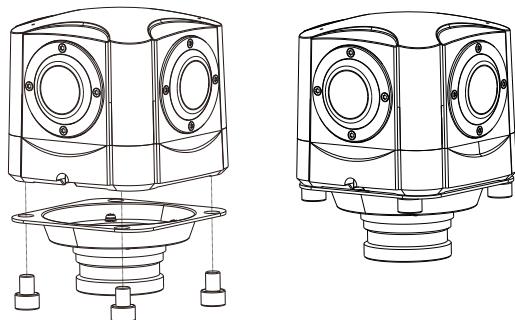
Step 1 Remove the installation block delivered with the camera. Fix the installation block on the top or on the bottom of the camera.

Figure 3-1 Bracket dimensions(unit:mm)



Step 2 Fix the mounting bracket on the pole, as shown in the figure 3-2.

Figure 3-2 Aligning the screw holes



Step 3 Align the camera adapter with the adapter hole on the column, and when it is in place, fix the two with screws and confirm that fixing screw is fixed in the groove of the adapter, as shown in figure 3-3.

Step 4 Mount the camera to the ceiling or column needs tighten the three screws on the bracket completely.

Figure 3-3 Fixing the bracket to pole

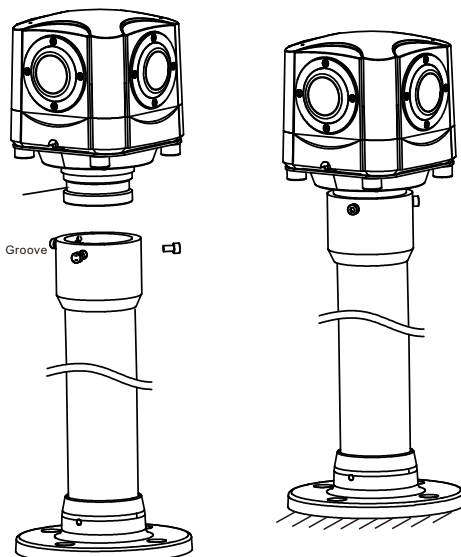
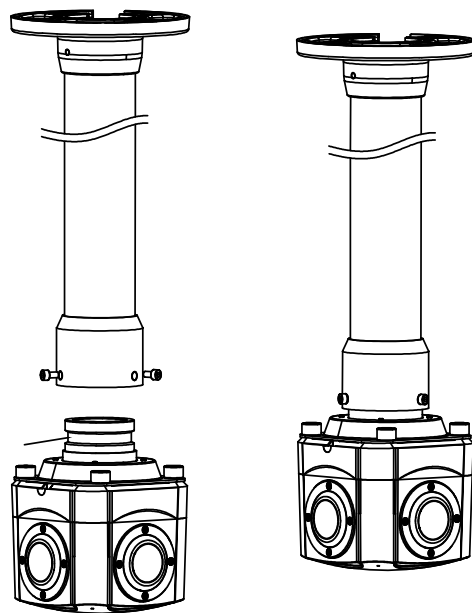


Figure 3-4 Fixing the bracket to ceiling



4 Quick Configuration(e.g IE)

NOTE

The configuration of computer should not lower as the following to show live video.
 CPU: Intel(R) Core(TM) i7-8700 cpu @3.20GHz or later
 RAM: 16GB or more
 Graphics card : GeForce GTX 1070 Ti or above.

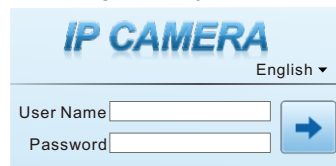
4.1 Login

Step 1 Open the Internet Explorer, enter the IP address of IP camera (default value: 192.168.0.120) in the address box, and press Enter. The login page is displayed, as shown in figure 4-1 .
Step 2 Input the user name and password.

NOTE

The default user name is admin. The default password is admin. Change the password when you log in the system for first time to ensure system security.
 You can change the system display language on the login page.

Figure 4-1 Login



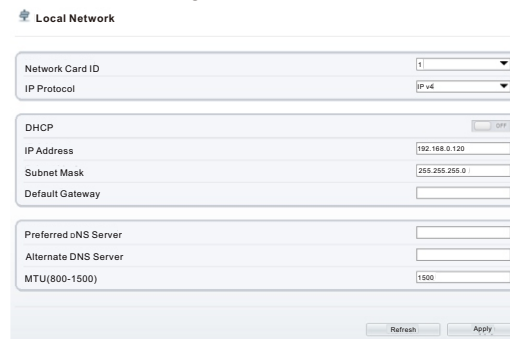
Step 3 Click Login, the main page is displayed.

4.2 Modify IP address

Choose **Configuration > Device > Local Network**, the **Local Network** page is displayed. Enter the IP address in the IP Address box and click **Apply** as shown in figure 4-2.

After the success of the IP address setting, please use the new IP address to log in the Web interface.

Figure 4-2 Local Network



4.3 Browsing Video

To ensure the real-time video can be played properly, you must perform the following operation when you log in the web for the first time:

Step 1 Open the Internet Explorer. Choose **Tools > Internet options > Security > Trusted sites > Sites**, in the display dialog box, click **Add**, as shown in figure 4-3.

Step 2 In the Internet Explorer, choose **Tool > Internet Options > Security > Customer level**, and set **Download unsigned ActiveX control** and **initialize and script ActiveX controls not marked as safe for scripting under ActiveX controls and plug-ins to Enable**, as shown in figure 4-4.

Figure 4-3 Adding a trusted site

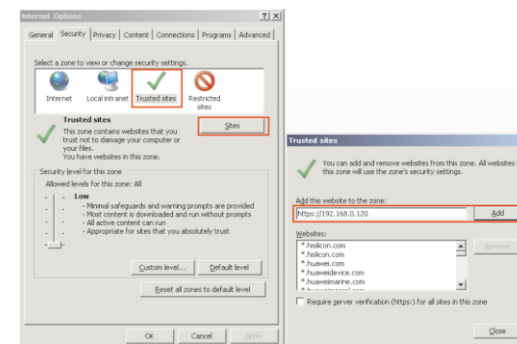
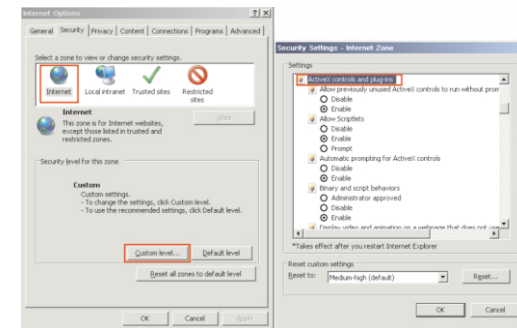


Figure 4-4 Configuring ActiveX control and plug-in



Step 3 Download and install the player control as prompted.

NOTE

If the repair tips displayed when installing the control, please ignore the prompt, and continue the installation, the login page is displayed when the control is loaded.

To browse a real-time video, click **Live Video**. The **Live Video** page is displayed, as shown in figure 4-5.

Figure 4-5 Live Video



When the live video is full screen, user can use keyboard shortcuts to switch mode, F2 is for panoramic mode, F3 is for prospective mode, F4 is for crystal ball mode, F5 is for fisheye mode, and F6 is for planet mode. A is for auto cruise. S is for stopping rotation.

- 1. Real-time video: Real-time videos are played in this area. User can also set sensor parameters.

- 2. Playback : User can query the playback videos in this area.

NOTE
Only when the SD card or NAS have videos that user can query the playback videos.

- 3. Device configuration: You can choose a menu to set device parameters, including the device information, audio and video streams, alarm setting, and privacy mask function.

- 4. Change password: You can click to change the password.

- 5. Sign Out; You can click to return to the login page.

- 6. Stream: There are four streams. Choose one type from drop-down list. Stream 4 is SVC stream.

- 7. Pause/Start: Close live video or play live video.

- 8. Live/Smooth: Switch image quality.

- 9. Audio: Open or close audio.

- 10. Interphone: Open or close interphone.

- 11. Sensor setting: Click the icon, it will access to sensor setting.

- 12. Snapshot: Click the icon, it will snapshot.

- 13. Local record: Click the icon, it will record video and save to local folder.

- 14. Mode : Panoramic mode, fisheye mode, crystal ball mode, prospective mode, planet mode,

- 15. Intelligent analysis: Open or close intelligent analysis.

4.4 Two-way audio

NOTE

Partial camera do not support two-way audio, this section do not apply.

4.4.1 Camera ↔ PC

Connection

Step 1 Connect microphone to audio input interface of camera.

Step 2 Connect speaker to the PC audio output interface.

Step 3 Log in camera Web, click to turn on two-way audio.

4.4.2 PC ↔ Camera

Step1 Connect microphone to PC audio input interface.

Step2 Connect speaker to camera audio out interface.

Step3 Log in camera Web, click to turn on two-way audio.

4.5 Alarm Configuration

NOTE

Partial cameras do not support alarm, this section do not apply.

Alarm input and Alarm output connection:

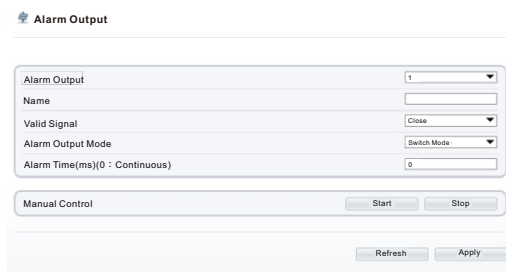
Step1 Connect alarm input device to Alarm IN0 and Alarm COM0 of multi-head cable.

Step2 Connect alarm output device to Alarm OUT1 and Alarm COM1 of multi-head cable, alarm output interface can connect to normal open device only.

Step3 Log in Web, Choose **Configuration > Alarm > Alarm Output**, set the parameters as shown in figure 4-6.

Step4 Choose **Configuration > Alarm > I/O Alarm Linkage**, enable the I/O Alarm and set the parameters of Schedule Setting.

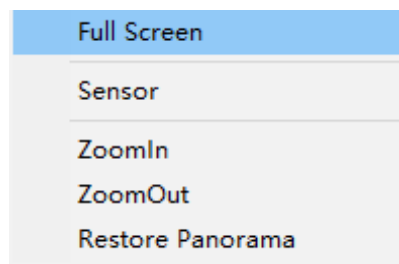
Figure 4-6 Alarm



5 Sensor Setting

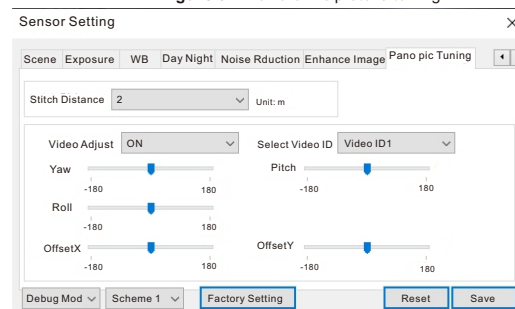
On the Internet Explorer interface or the client software interface, select and right-click the surveillance image to the set, as shown in figure 5-1.

Figure 5-1 Sensor



On sensor setting interface, user can set Time Segment, Image Setting, Scene, Exposure, White Balance, Day Night, Noise Reduction, Enhance Image and Pano pic Tuning.

Figure 5-2 Panoramic picture tuning



Stitch Distance: the default value is 2 meter, it depends on the focusing distance, it need to modify only when the focusing lens distance is changed.

Select Video ID: it can choose four ID to adjust. Usually user just need to adjust one video.

Yaw: it will topple over the lens' center.

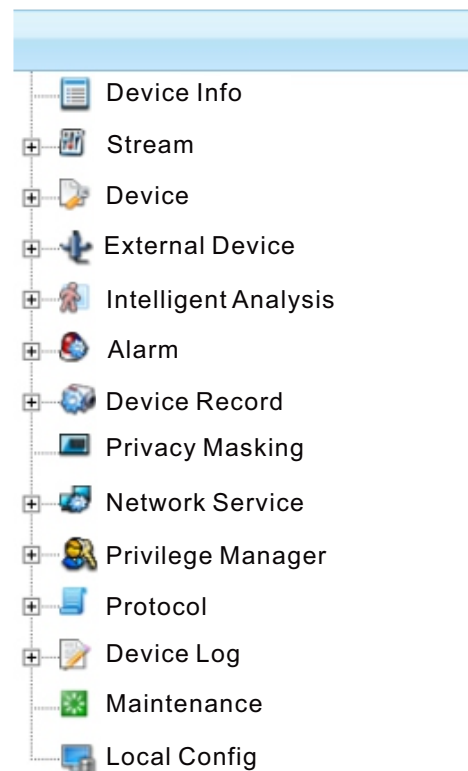
Pitch: it will left or right yaw the lens' center.

Roll: it will rotate the lens' center.

6 Other Configurations

On Configuration interface, user can set the Stream, Device, External Device, Intelligent Analysis, Alarm, Device Record, Privacy Masking, Protocol, Device Log and Local config. You can also view the device information, as shown in figure 6-1.

Figure 6-1 Configuration



Please refer to our website for all parameter of configuration.